

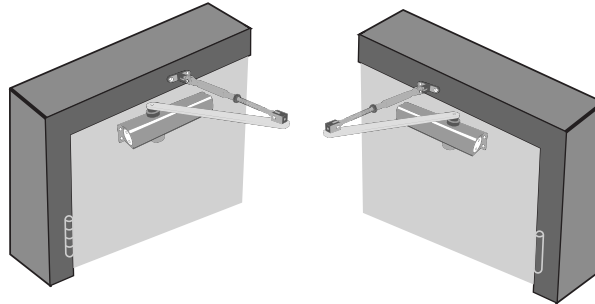
DOOR CLOSER

Premium Quiet Power

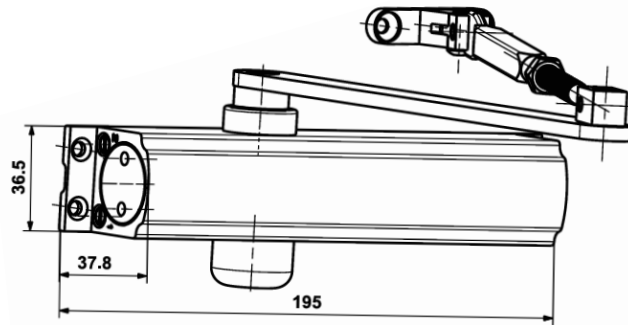
- Made from high-grade Extruded Aluminum
- Smooth and controlled door closing mechanism
- Adjustable closing and latching speed
- Leak-proof hydraulic system
- Corrosion-resistant surface finish
- 200,000+ cycle life tested
- Suitable for wooden, and metal doors
- Easy installation and low maintenance

FB - DC - 3000

Installations



Technical Specification



Specification

DETAILS	FEATURES
Product Dimensions	195x36.5x37.8 MM
Power Size	EN 2
Adjustments Facility	Closing & Latching speed
Back Check	NO
Hold Open	NO
Non-Hold Open	Yes
Arm Assembly Type	Standard Arm
Area of Application	Wooden or Metal Doors
Suitable for door width	Up to 950 mm
Suitable for door weight	45 to 60 kgs
Durability	5,00,000 cycles
Maximum angle of opening	180°.

Opening Froms

RIGHT OPENING

Inside Opening



Outside

Outside Opening



Outside

LEFT OPENING

Inside Opening



Outside

Outside Opening



Outside

PACKING : 15 PCS

FB - DC - 3000



Ceramic Gold



Ceramic R.Gold



AB Matt



Ceramic Sky Blue



Ceramic Green



Ceramic Brown



Ceramic Sand



Ceramic Grey



Ceramic Silver



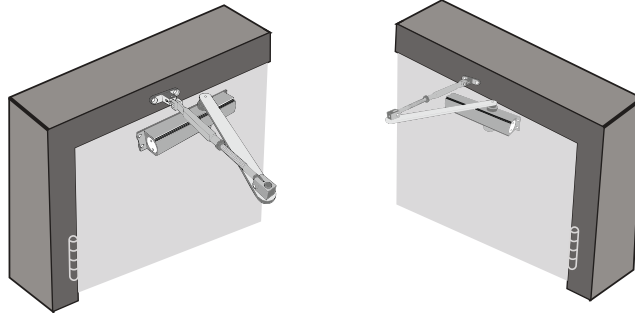
Ceramic Black



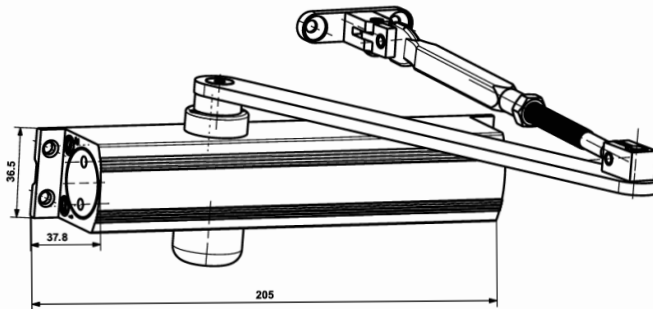
Door Closer that complements
modern luxury

FB - DC - 3001

Installations



Technical Specification



Specification

DETAILS	FEATURES
Product Dimensions	205x36.5x37.8 MM
Power Size	EN 3
Adjustments Facility	Closing & Latching speed
Back Check	NO
Hold Open	NO
Non-Hold Open	Yes
Arm Assembly Type	Standard Arm
Area of Application	Wooden or Metal Doors
Suitable for door width	Up to 1143 mm
Suitable for door weight	60 to 80 kgs.
Durability	5,00,000 cycles
Maximum angle of opening	180°.

Opening Froms

RIGHT OPENING

Inside Opening



Outside

Outside Opening



Outside

LEFT OPENING

Inside Opening



Outside

Outside Opening



Outside

PACKING : 15 PCS

HYDRAULIC DOOR CLOSER



FB - DC - 3001



Ceramic Gold



Ceramic R.Gold



AB Matt



Ceramic Sky Blue



Ceramic Green



Ceramic Brown



Ceramic Sand



Ceramic Grey



Ceramic Silver



Ceramic Black

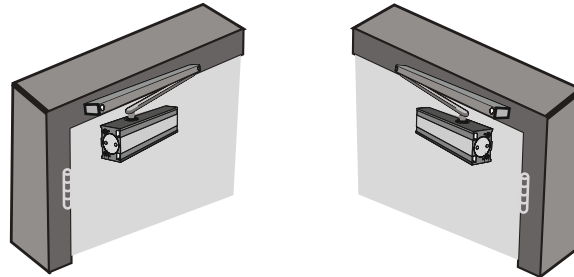


CM/L 7600211107

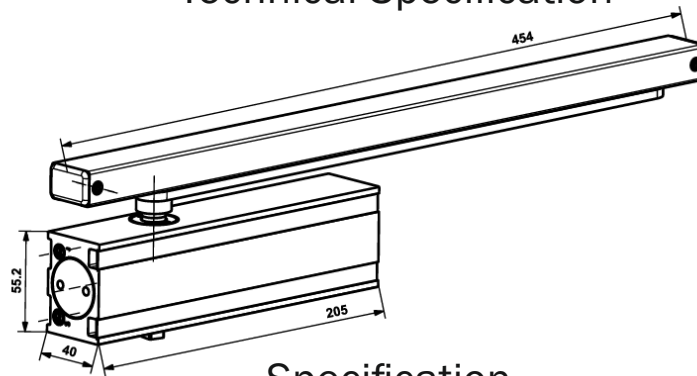
Designed for smooth
sophistication.

FB - DC - 3002

Installations



Technical Specification



Specification

DETAILS	FEATURES
Product Dimensions	205x40x55.2 MM
Power Size	EN 4
Adjustments Facility	Closing & Latching speed
Back Check	NO
Hold Open	NO
Non-Hold Open	Yes
Arm Assembly Type	Slide Arm
Area of Application	Wooden Door
Suitable for door width	Up to 1250 mm
Suitable for door weight	80 to 100 kgs.
Durability	5,00,000 cycles
Maximum angle of opening	130°.

Opening Froms

RIGHT OPENING

LEFT OPENING

Inside Opening

Inside Opening



Outside

Outside

Outside Opening

Outside Opening



Outside

Outside

PACKING : 10 PCS

FB - DC - 3002



Ceramic Gold +
PVD Gold



Ceramic R.Gold +
PVD R.Gold



AB Matt +
PVD Gold



Ceramic Sky Blue +
PVD Gold



Ceramic Green +
PVD Gold



Ceramic Brown +
PVD R.Gold



Ceramic Sand +
PVD R.Gold



Ceramic Grey +
PVD Black



Ceramic Silver +
C.P.

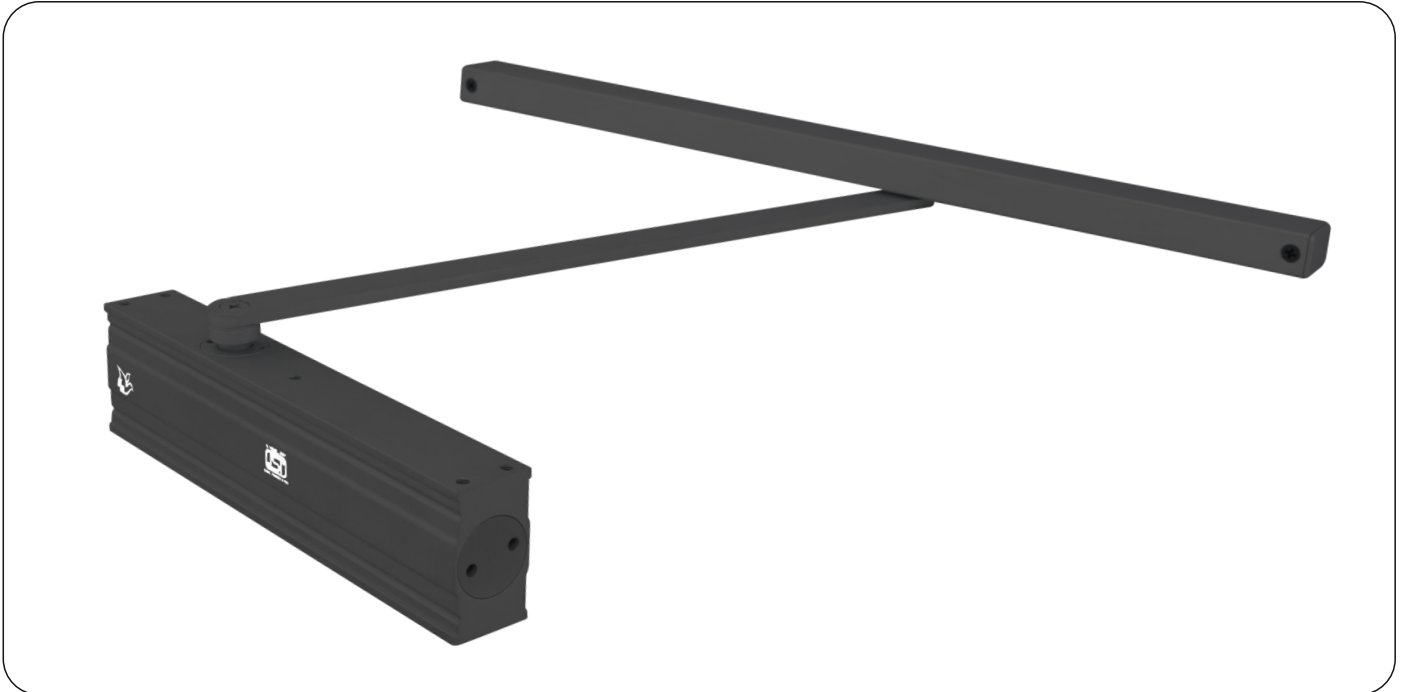


Ceramic Black +
PVD Black



“The art of smooth closing.”

FB - DC - 3003

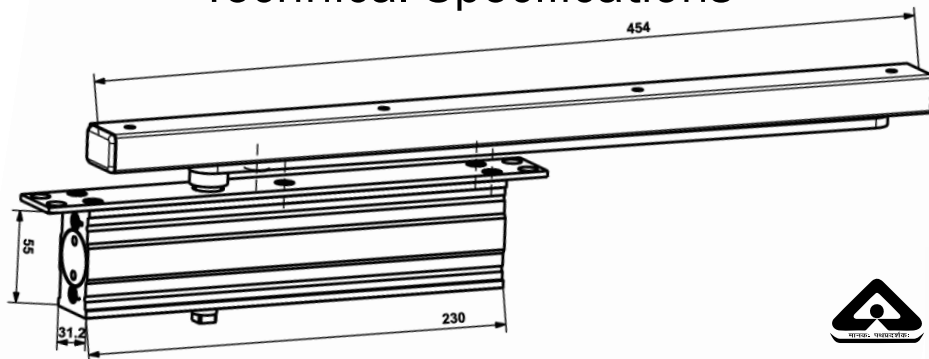


Ceramic Black

Specifications

DETAILS	FEATURES
Product Dimensions	230x31.2x55 MM
Power Size	EN 5
Adjustments Facility	Closing & Latching speed
Back Check	NO
Hold Open	NO
Non-Hold Open	Yes
Arm Assembly Type	Slide Arm
Area of Application	Wooden Door
Suitable for door width	Up to 1400 mm
Suitable for door weight	100 kgs
Durability	5,00,000 cycles
Maximum angle of opening	130°.
Minimum Door Thickness	40 MM

Technical Specifications



PACKING : 10 PCS

FB - DC - 3004

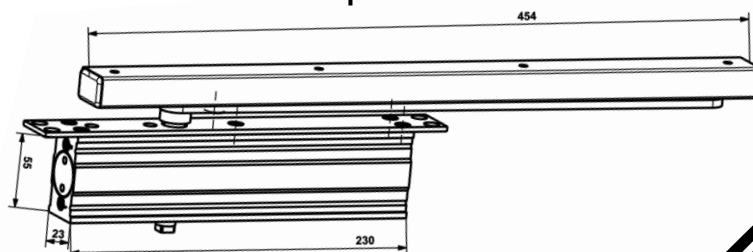


Silver

Specifications

DETAILS	FEATURES
Product Dimensions	230x23x55 MM
Power Size	EN 2 TO EN 3
Adjustments Facility	Closing & Latching speed
Back Check	NO
Hold Open	NO
Non-Hold Open	Yes
Arm Assembly Type	Slide Arm
Area of Application	Wooden Doors
Suitable for door width	Up to 1143 MM
Suitable for door weight	40 TO 60 kgs
Durability	5,00,000 cycles
Maximum angle of opening	130°
Minimum Door Thickness	30 MM

Technical Specifications



PACKING : 10 PCS